

# MULTI EVO

SELF-PRIMING MULTISTAGE PUMP



PUMP MADE IN ITALY.





Introducing

 **PENTAIR ONGA**

# MULTI EVO

## THE NEXT GENERATION SELF-PRIMING CENTRIFUGAL MULTISTAGE PUMPS

**MULTI EVO** is a self-priming horizontal multistage centrifugal pump. The innovative, high-efficiency hydraulic system is coupled to our latest generation motor. All models are certified for use with drinking water – AS/NZS 4020.

The MULTI EVO series offer the following advantages:

- Peace of mind reliability - thanks to the robust design.
- Quiet operation.
- Wide range of performance levels to suit various applications.
- Self-priming with up to 8m suction lift.
- Great efficiency with the latest hydraulic design.
- D.R.O.P System for pump protection.

### MOTOR

- Enclosed, air ventilated (TEFC)
- 2 poles, 50 Hz (n=2850 rpm)
- Protection class: IP55
- Insulation class: F
- Maximum room temperature 40°C
- Single phase power supply with permanently inserted condenser and thermal protection incorporated into motor winding

### PUMP

- Hydraulic performance conforms to ISO 9906:2012 - Grade 3B
- Type of liquid: clean water with no suspended solids or abrasive material
- Maximum liquid temperature 50°C
- Maximum operating pressure 8 bar
- D.R.O.P System

### APPLICATIONS

- Domestic pressure systems
- Pressure boosting
- Water transfer
- Irrigation and water supply
- Semi-commercial pressure systems (OME850P)



PUMP MADE IN ITALY



 eco select™

 **AS/NZS 4020**  
TESTED & CERTIFIED.  
SAFE TO USE FOR DRINKING WATER.

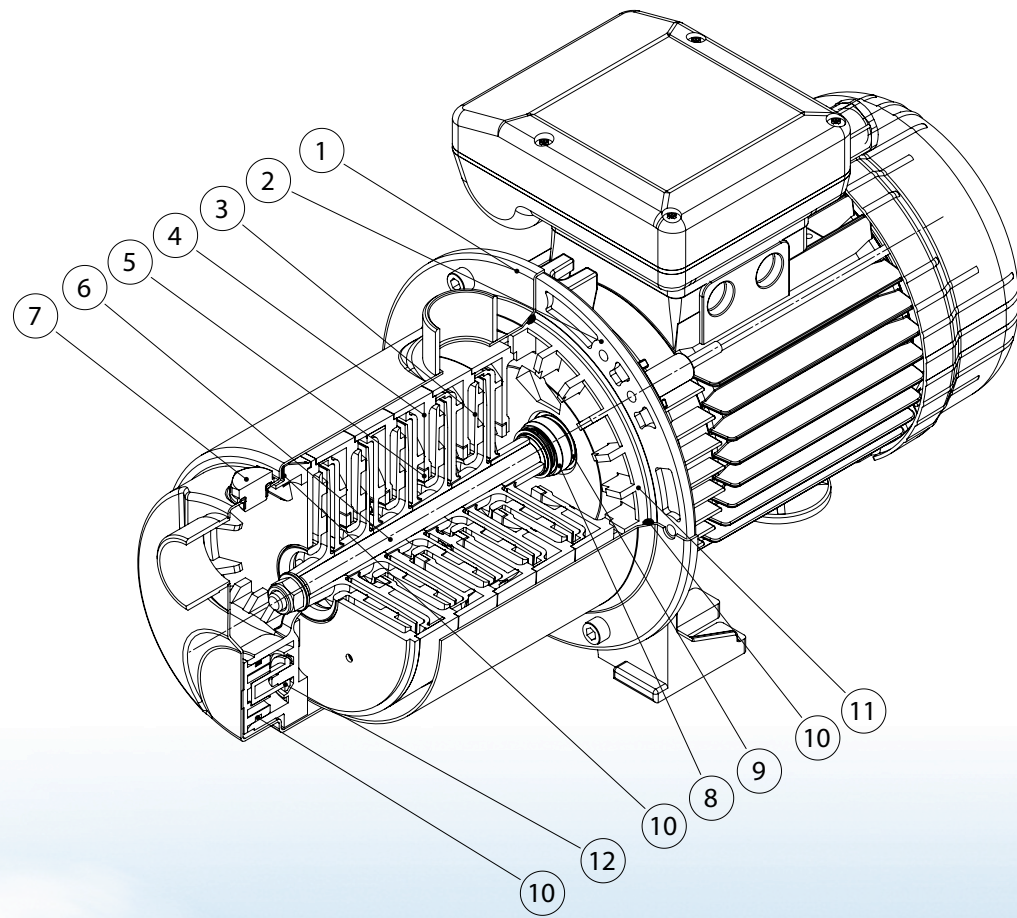
[ONGA.COM.AU](http://ONGA.COM.AU)



# PENTAIR ONGA MULTI EVO

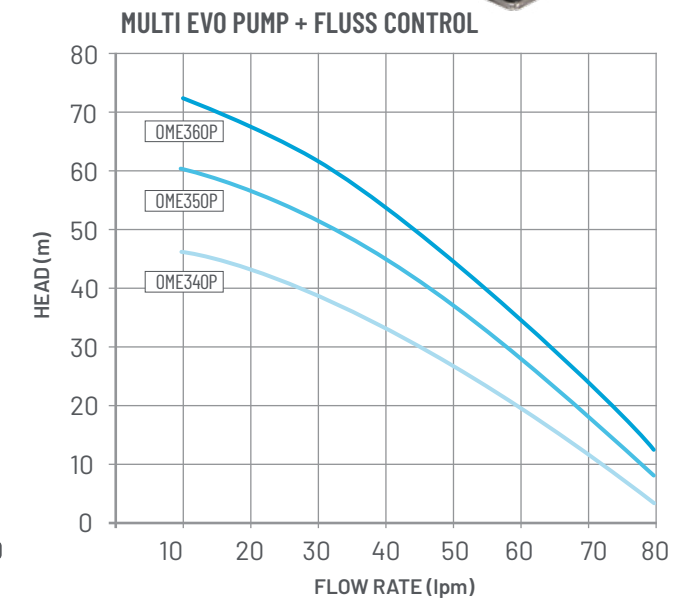
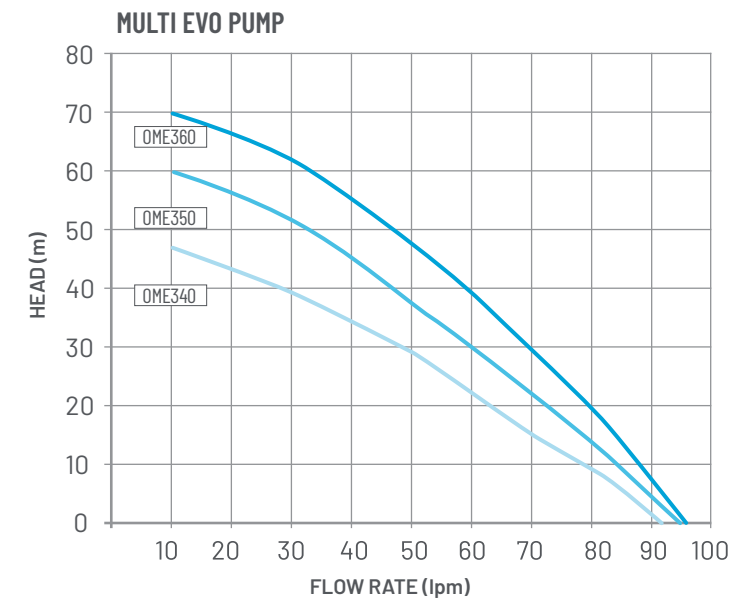
EFFICIENCY &  
PERFORMANCE.  
FOR LIFE.

## MULTI EVO 3 SERIES



### TABLE OF MATERIALS

REF.	COMPONENT	MATERIAL
1	PUMP BODY	Stainless steel Europe: EN10088-1 X5CrNi18-10 (1.4301) USA: AISI 304
2	MOTOR CASING	Die-cast aluminium
3	IMPELLER	Fibreglass reinforced PPO
4	DIFFUSER	Fibreglass reinforced PPO
5	WEAR RING	PTFE
6	SHAFT (HYDRAULIC PART)	Stainless steel Europe: EN10088-1 X5CrNi18-10 (1.4301) USA: AISI 304
7	INLET / OUTLET CAPS	Stainless steel Europe: EN10088-1 X8CrNiS18-9 (1.4305) USA: AISI 303
8	MECHANICAL SEAL	Carbon graphite / NBR / SS Europe: EN10088-1 X5CrNi18-10 (1.4301) USA: AISI 304
9	COUNTERFACE	Ceramic / NBR
10	GASKETS	NBR 70 Shore A
11	SEAL HOLDER PLATE	Fibreglass reinforced PPO
12	SELF-PRIMING VALVE	Fibreglass reinforced PPO

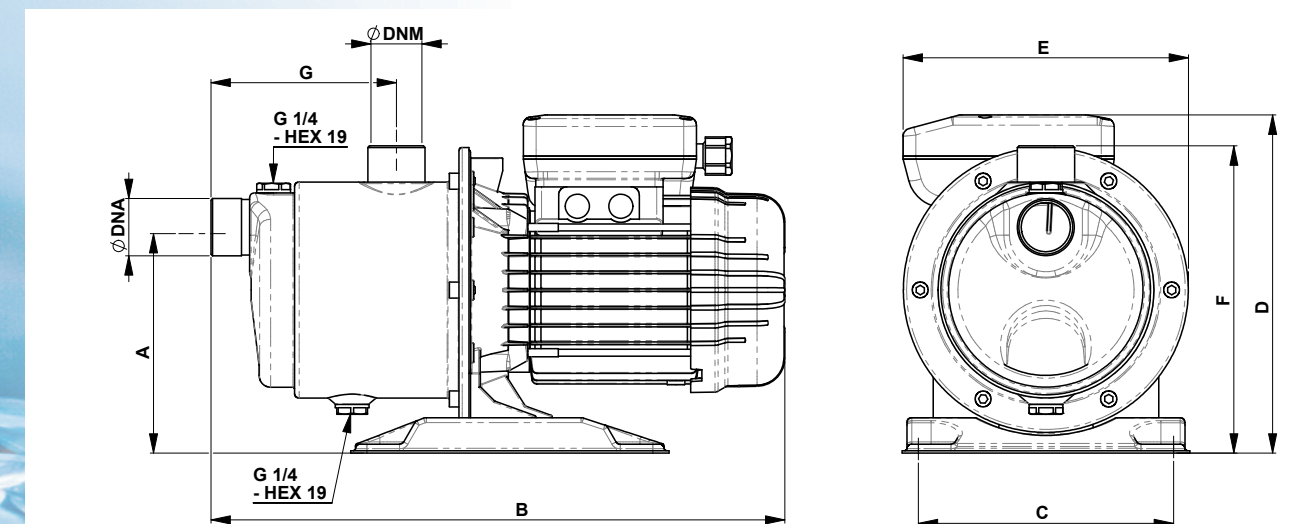


### PERFORMANCE TABLE

PART #	MODEL	Nominal power (P2)		Absorbed power (P1)		Voltage (V)	In (A)	µF	Q	Head (E)							
		HP	kW	HP	kW					0	10	20	30	40	50	60	80
OME340	Multi EVO-A 3-40	0,68	0,51	1,1	0,8	1~230	3,7	12,5	0	42,5	39,5	35,5	31	25,5	20,5	9	
OME350	Multi EVO-A 3-50	0,94	0,7	1,34	1	1~230	4,4	16	0	56,5	53	48,5	42	35,5	28,6	13	
OME360	Multi EVO-A 3-60	1,2	0,9	1,68	1,25	1~230	5,7	20	0	70,5	67	62	55,5	48	39,5	20	

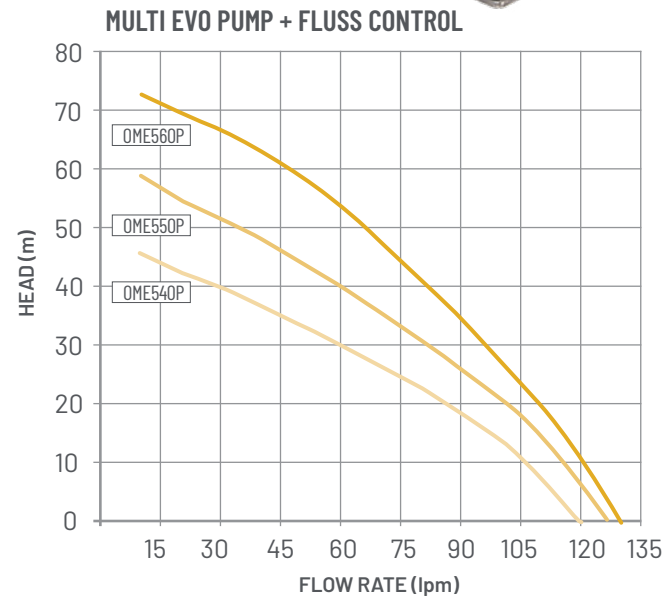
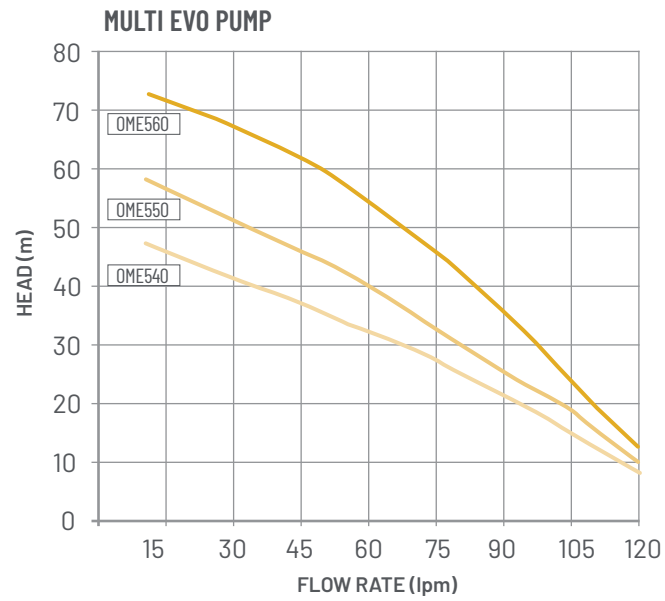
### OVERALL DIMENSIONS & WEIGHTS

PART #	MODEL	Dimensions mm.									Outlet Height w/ Fluss Control (mm)	Weight (Kg)
		A	B	C	D	E	F	G	DNA	DNM		
OME340	Multi EVO-A 3-40	140	380	100	210	177	191	139	1"	1"	408	7,3
OME350	Multi EVO-A 3-50	140	422	100	219	177	191	162	1"	1"	408	9,3
OME360	Multi EVO-A 3-60	140	422	100	219	177	191	162	1"	1"	408	10,8





# MULTI EVO 5 SERIES

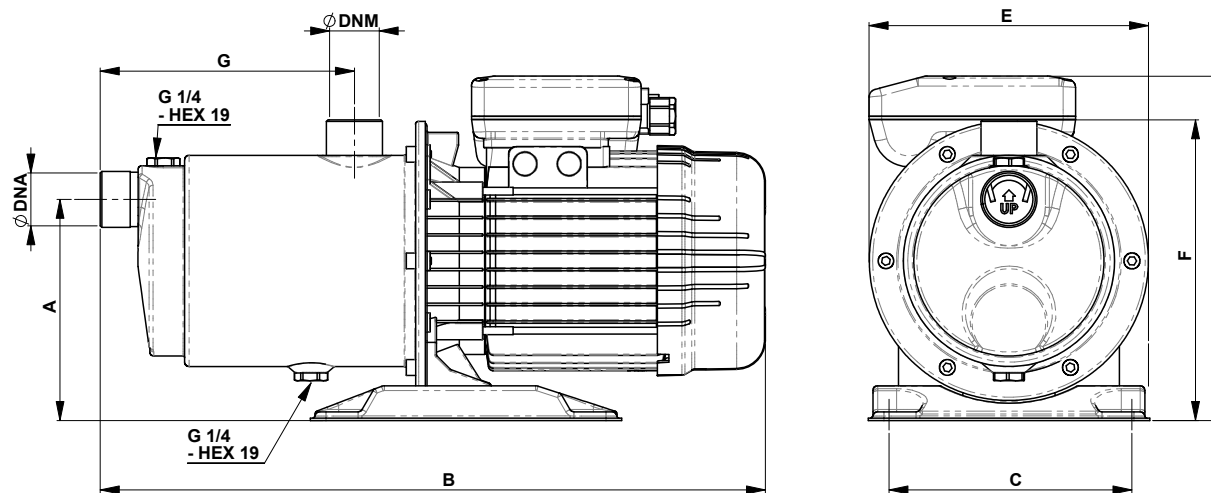


## PERFORMANCE TABLE

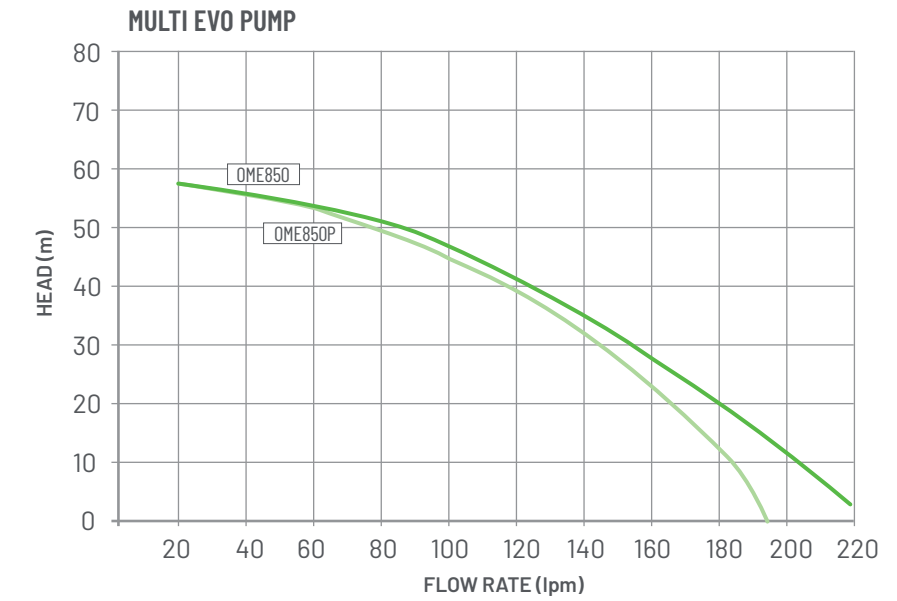
PART #	MODEL	Nominal power (P2)		Absorbed power (P1)		Voltage (V)	In (A)	µF	Ø	l/min	20	30	40	50	60	80	100	120
		HP	kW	HP	kW						m³/h	1,2	1,8	2,4	3	3,6	4,8	6
OME540	Multi EVO-A 5-40	1	0,75	1,5	1,1	1~230	4,7	16		44,5	41,5	39	35,5	32,5	25	17	7,5	
OME550	Multi EVO-A 5-50	1,27	0,95	1,8	1,35	1~230	6,2	20		56	52	48,5	45	40,5	31	21,5	10	
OME560	Multi EVO-A 5-60	1,6	1,2	2,2	1,65	1~230	7,5	31,5		71,5	68,5	65	61	55,5	43,5	28,5	12,5	

## OVERALL DIMENSIONS & WEIGHTS

PART #	MODEL	Dimensions mm.									Outlet Height w/ Fluss Control (mm)	Weight (Kg)
		A	B	C	D	E	F	G	DNA	DNM		
OME540	Multi EVO-A 5-40	140	400	100	219	177	191	139	1"	1"	408	9
OME550	Multi EVO-A 5-50	140	422	100	219	177	191	162	1"	1"	408	10,6
OME560	Multi EVO-A 5-60	140	457	100	226	203	191	162	1"	1"	408	13,5



# MULTI EVO 8 SERIES

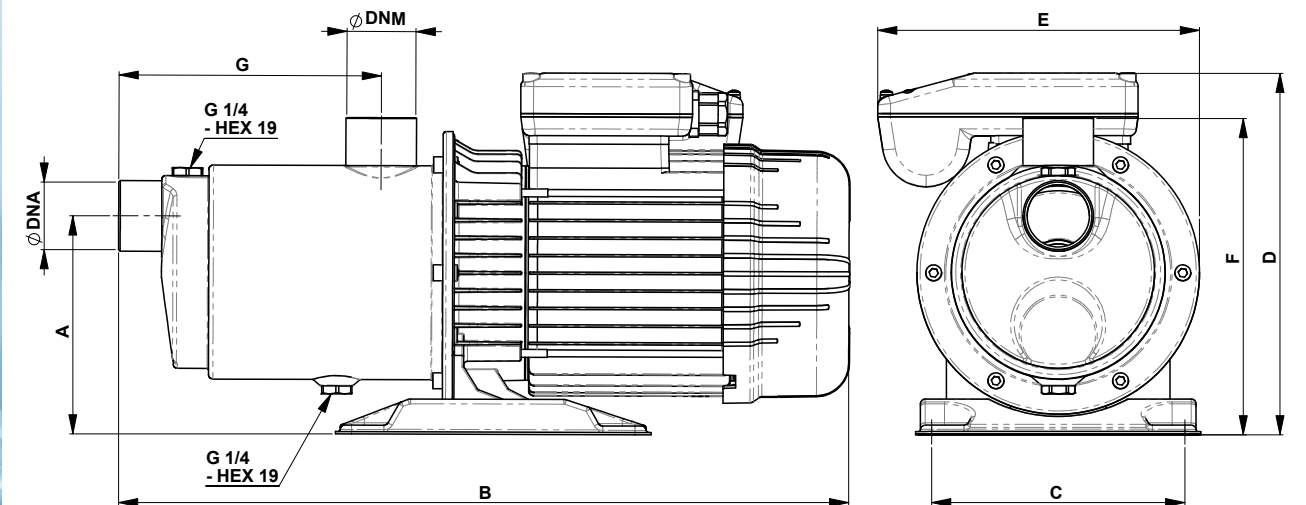


## PERFORMANCE TABLE

PART #	MODEL	Nominal power (P2)		Absorbed power (P1)		Voltage (V)	In (A)	µF	Ø	l/min	40	50	60	80	100	120	140	160	180	200
		HP	kW	HP	kW						m³/h	2,4	3	3,6	4,8	6	7,2	8,4	9,6	10,8
OME850	Multi EVO-A 8-50	1,9	1,4	2,7	2	1~230	9	35		56,5	55	54	51	47	42	36	28	21	12	

## OVERALL DIMENSIONS & WEIGHTS

PART #	MODEL	Dimensions mm.									Outlet Height w/ Fluss Control (mm)	Weight (Kg)
		A	B	C	D	E	F	G	DNA	DNM		
OME850	Multi EVO-A 8-50	136	457	100	226	203	198	164	1" 1/4	1" 1/4	445	14,5





1-21 Monash Drive | Dandenong South, VIC 3175 | Australia | 1300 137 344 | [onga.com.au](http://onga.com.au)

Information contained here-in remains the property of Pentair under Australian copyrights law. Any reproduction, display, publication, modification or distribution is strictly prohibited without the prior written permission of Pentair.

Disclaimer: Pentair reserves the right to change product specifications and products details.  
All product images are for reference purposes only and may not represent actual and/or current product.

©2023 Pentair. All rights reserved.